

radicon 

with you at every turn

Motors Compact Solution



Compact motors

PRODUCT INFORMATION

To compliment the range of geared motors, we have now added the compact motor solution.

Available up to 7.5 kW, 4 pole execution, these motors fit directly to the gear head without the requirement of a motor adaptor kit, making the assembly more compact and the product more cost effective.

An unrivalled depth of application expertise stretching back over 150 years, together with use of high quality materials results in a range of premium series of geared motors offering a high load carrying capacity, high efficiency, quiet running and reliable drive solution.

Input Power

0.37 kW, 0.55 kW, 0.75 kW, 1.1 kW, 1.5kW, 2.2 kW, 3.0 kW, 4.0 kW, 5.5 kW, 7.5 kW.

Enclosure

IP55, fitted with thermistors as standard.

Available to fit

Fits onto the Series M, Series F, Series C & Series K ranges of geared motor units.

Unit sizes

Series M - Size 01 - 08
Series C - Size 03 - 08
Series F - Size 02 - 08
Series K - Size 03 - 08



FEATURES

Modular design

Available in kits

Fits all gear heads

Fewer rotating components

Fits all gear heads

BENEFITS

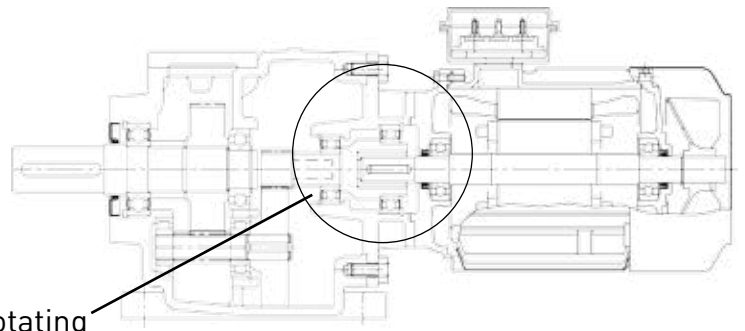
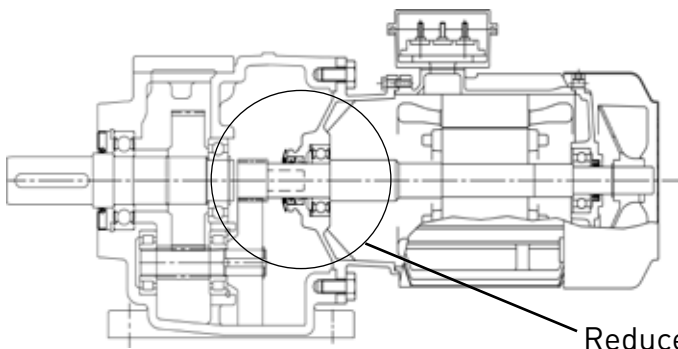
Reduced part count
Retrofit IEC adaptors in situ

Easy to stock and finish assembly locally

Compliments existing kits

Higher efficiency
Reduced running temperatures
Reduced weight

Flexibility



Reduced rotating mass

Typical Applications and Industries

Applications

Conveyors
Crushers
Cranes
Aerators
Mixers
Test rig
Winches
Pumps
Grinders
Water and waste water

Industries

Cement
Mining
Harbours and ports
Quarrying
Power generation
Petrochemical
Steel
Pulp & paper
Food & beverage



Radicon believes in engineering quality relationships with our customers that strengthen what we can achieve together. Our business and the people within our business are committed to building long lasting partnerships that are as reliable as our products and as smooth as our service.

Radicon and sister company Benzlers are now part of Elecon Engineering, Asia's largest and fastest growing gear manufacturer. This partnership means that we can offer our customers an enhanced range of standard and bespoke engineering solutions including drop in replacements, all supplied with the product quality and engineering expertise demanded from and delivered by the Radicon business.

Radicon - with you at every turn

benzlers 
radicon 

Benzlers

Denmark +45 36 34 03 00
Germany +49 800 350 4000
Finland +358 9 340 1716
Italy +39 02 824 3511
Sweden +46 42 186 800
The Netherlands +31 77 324 59 00

www.benzlers.com

Radicon

Thailand +66 3845 9044
United Kingdom +44 (0) 1484 465 800
USA +1 847 593 9910

www.radicon.com

